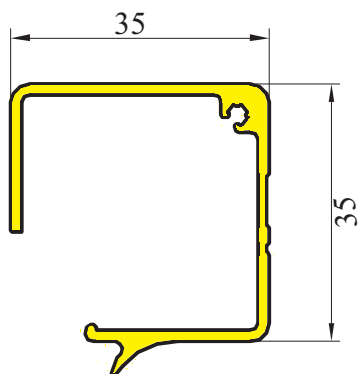




REFLEX-ROL U.K.

Insulating Solar & Glare Control Systems // Headboxes & Side-guides

Compact Line

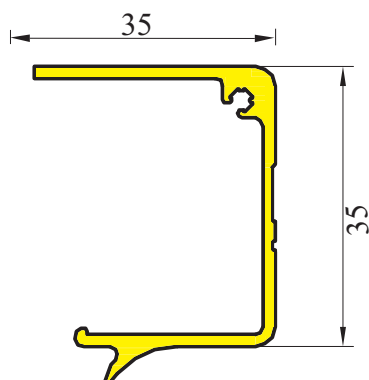


Closed Cassette

Maximum Width 1500

		Maximum Drop
Blind width up to 1000	Chain	3400
Blind width 1000 - 1500	Chain	2800
Motorised 24V up to 1000		2800
Spring operated up to 1000		2800
Multistop up to 1000		2800
Up to 1500 mm : all modes :		2800

Maximum drops depend on foil, Multiwave-pleating distance

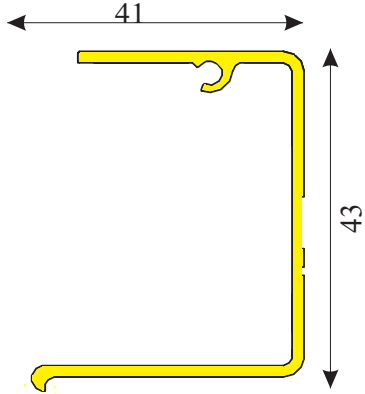


Open Cassette

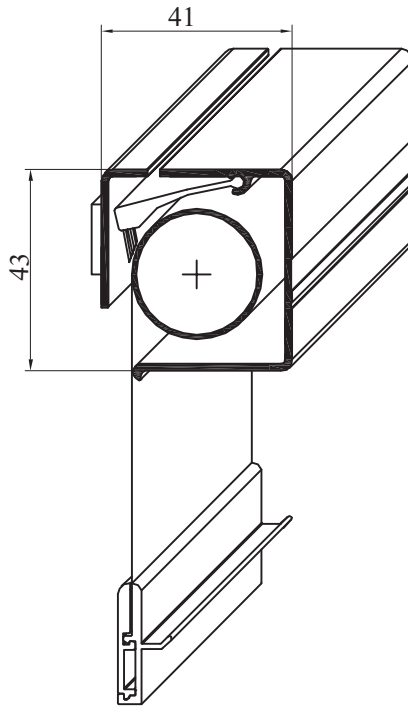
The Compact Line system can be fitted 'in the light' or on the face without mechanical fixings. Side-guides are bonded to the window-frame and the cassette slots securely into the top



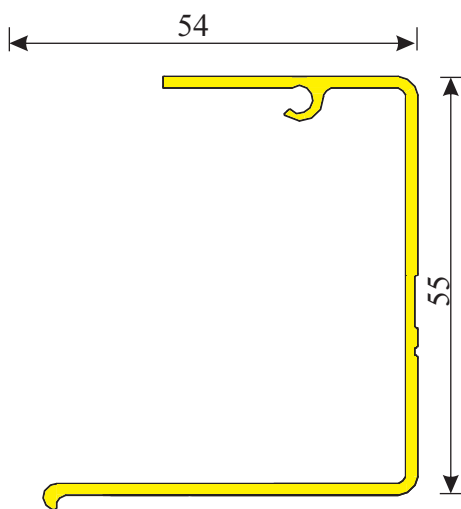
Classic Line



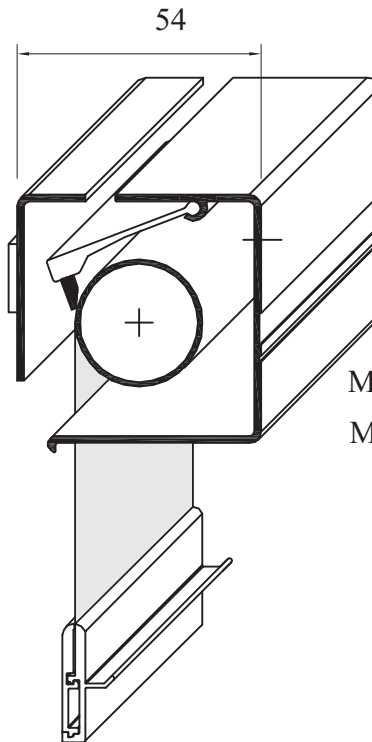
Cassette Type C1



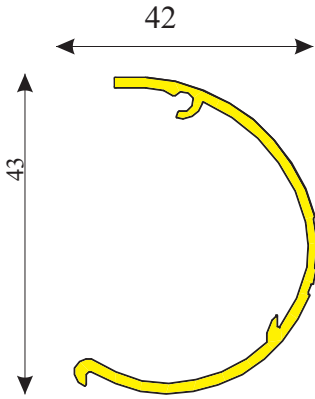
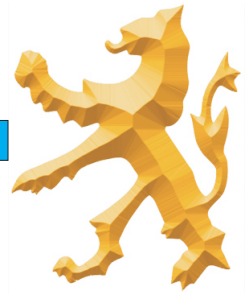
Maximum Width	1500
Maximum Drop Chain	3400
Spring	2200
Motorised 24V	2200
Multistop	2200



Cassette Type C2

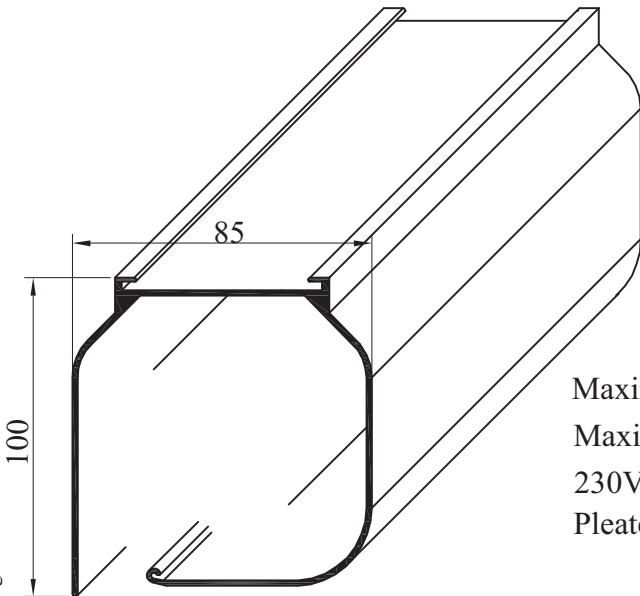
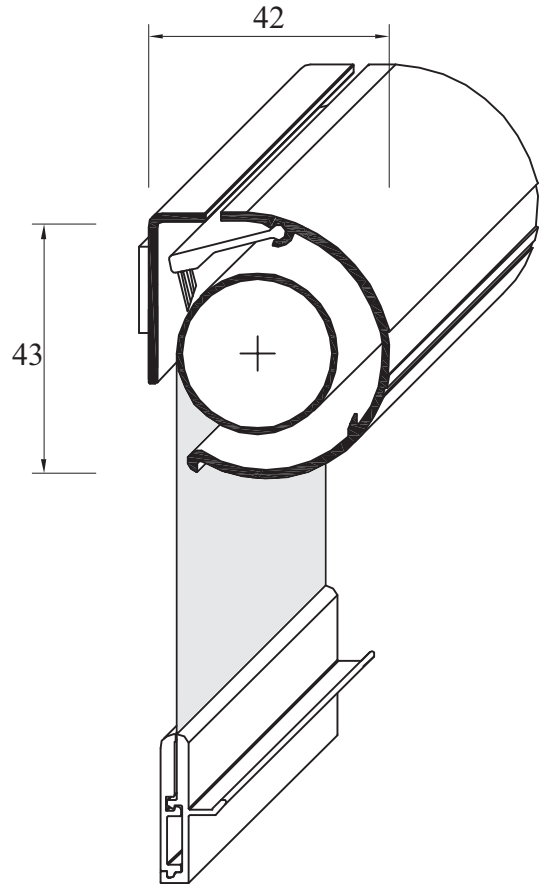


Maximum Width	2200
Maximum Drop Chain	3400
Spring	3400
Motorised 24V	3400
Multistop	3400



Cassette Type R1

Maximum Width	1500
Maximum Drop Chain	3400
Spring	2200
Motorised 24V	2200
Multistop	2200

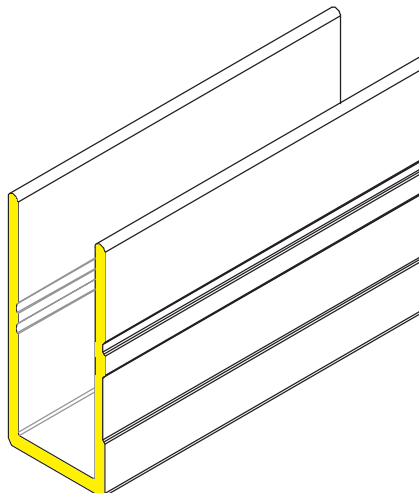
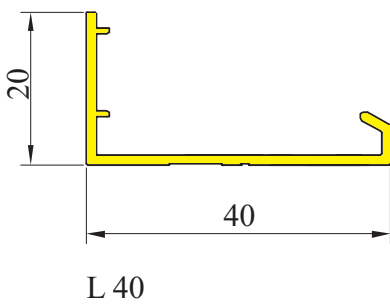
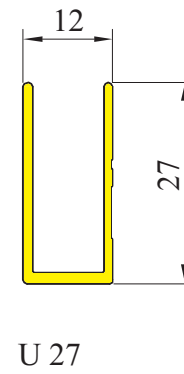
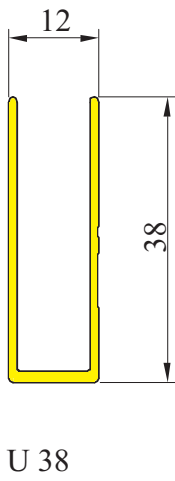
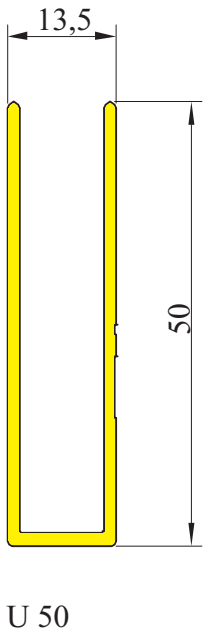
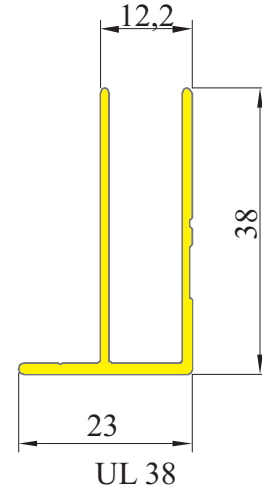
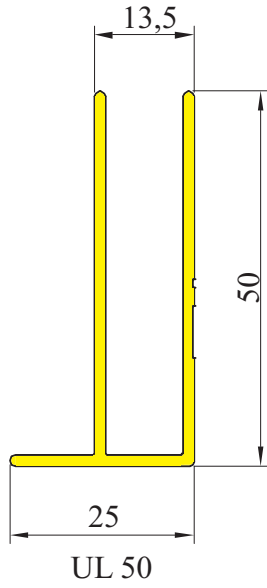
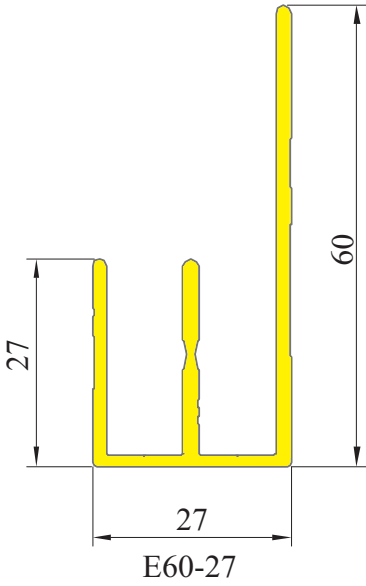


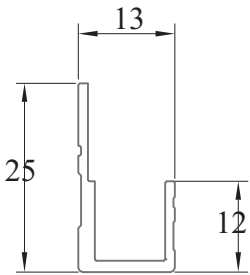
Large Facades System

Maximum width	3000
Maximum drop	6000
230V motorised or crank handle operated	
Pleated foils recommended with pleats either at 80 or 100 mm	

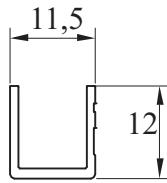


Side Guides

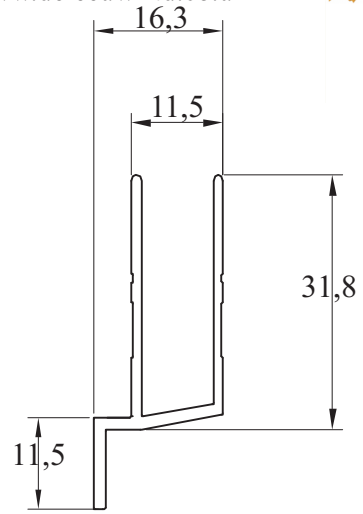




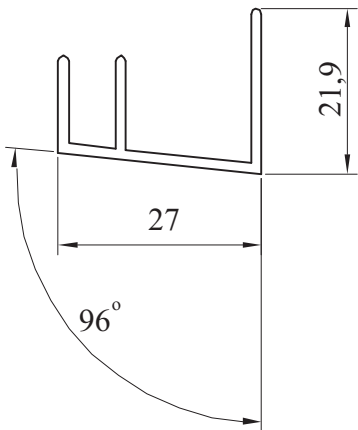
U12-25



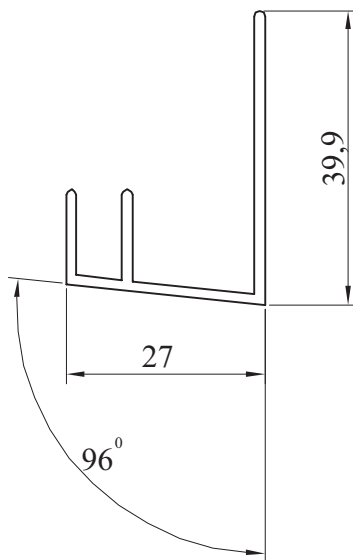
U12



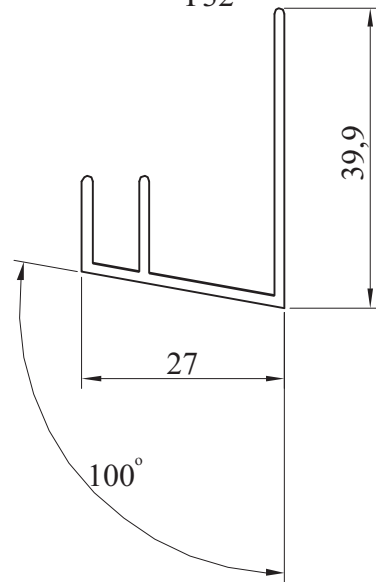
Y32



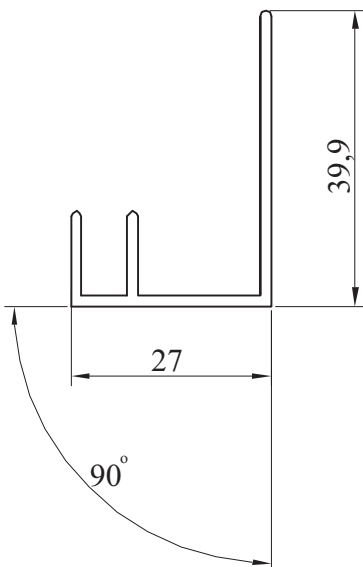
DF 1



DF 2



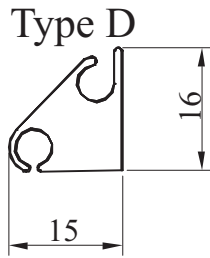
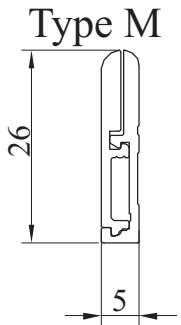
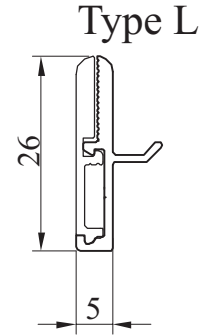
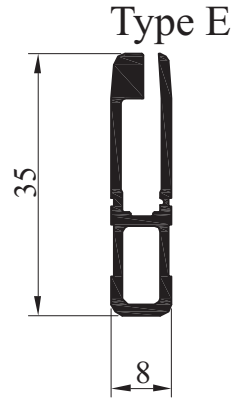
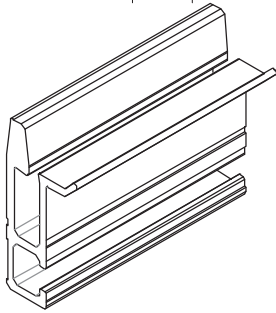
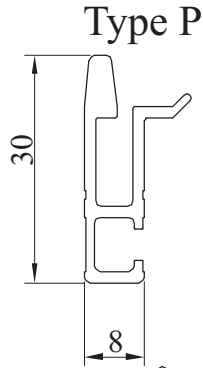
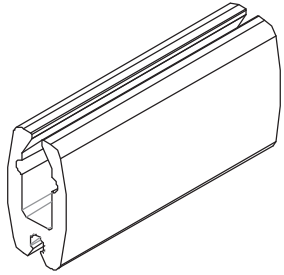
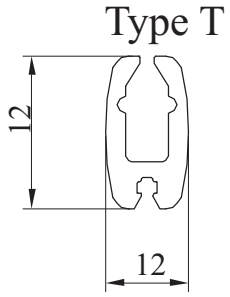
DF 3



DF 4

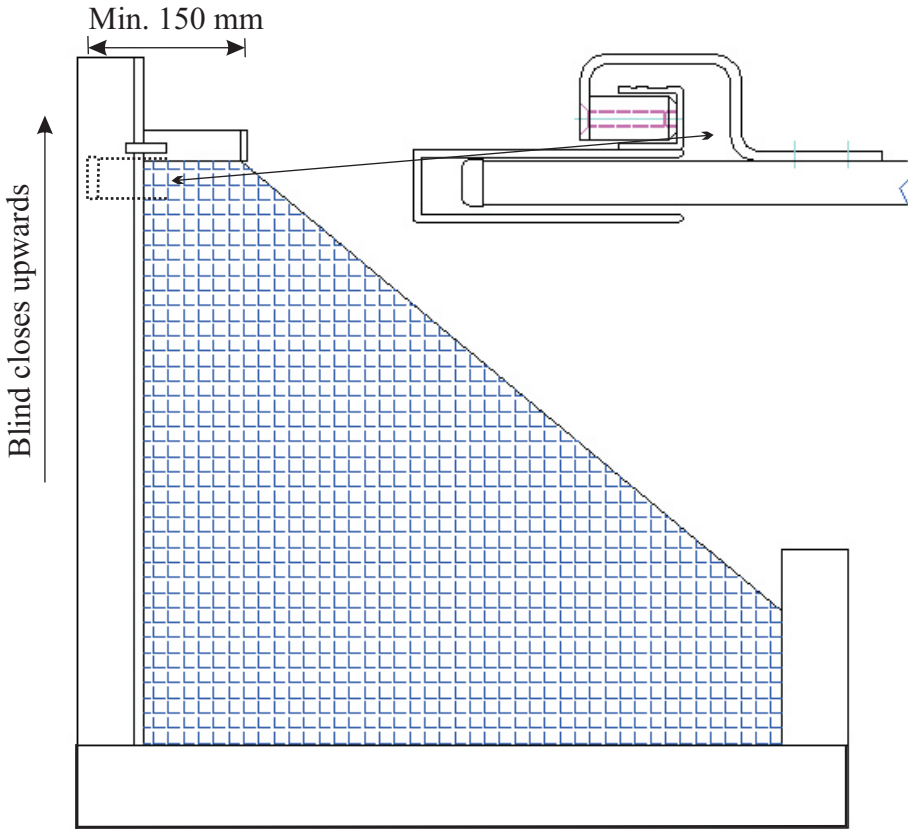


Bottom Bars





Non Rectangular Shapes



Air Traffic Control Tower Shapes

See our dedicated ATC Website

www.atctshading.com

