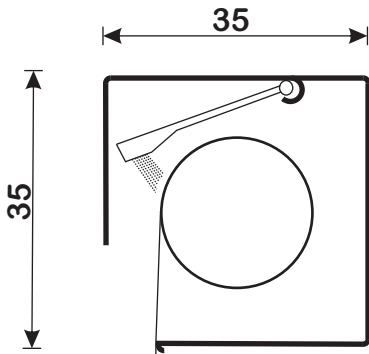


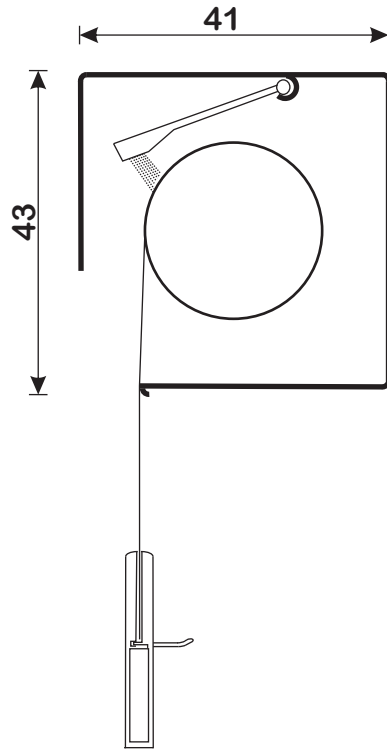
Cassette Type C0



Maximum blind sizes

**Manual cord
Manual chain
Motorised 24V**

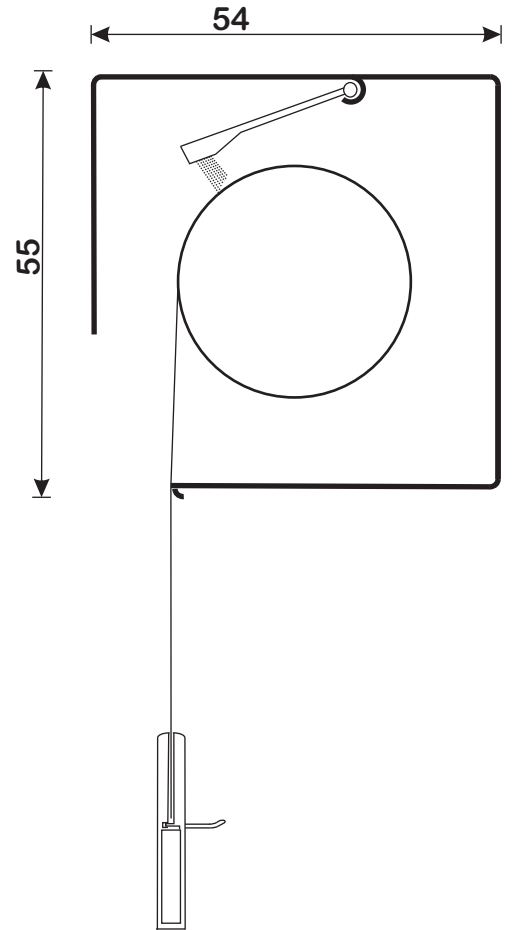
Cassette Type C1



Maximum blind sizes

**Manual cord
Manual chain
Motorised 24V**

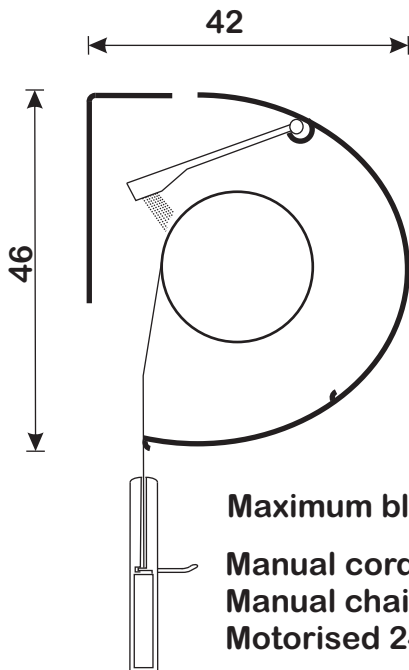
Cassette Type C2



Maximum blind sizes

**Manual cord
Manual chain
Motorised 24V**

Cassette Type R1



Maximum blind sizes

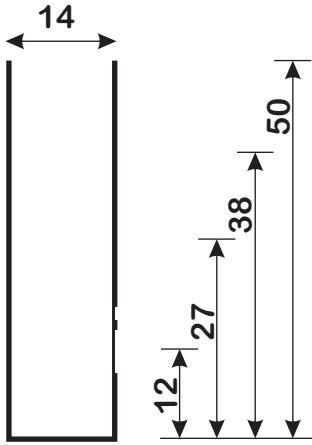
**Manual cord
Manual chain
Motorised 24V**

REFLEX-ROL U.K.

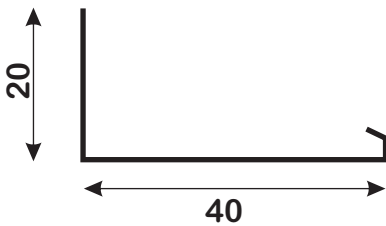
De Leeuw Ltd.
Ryeford Hall
Ryeford
Ross-on-Wye HR9 7PU
phone: +44(0) 1989 750704
fax +44(0) 1989 750768



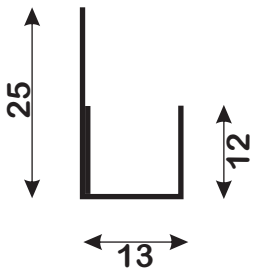
www.deleeuw-ltd.co.uk



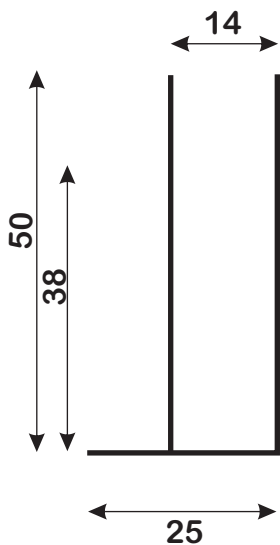
U 12, U27, U38 and U50 for Classic-, Compact- and Econoline



L40 for horizontal and inclined windows



U12/25 for Classic-, Compact- and Econoline



UL38 , UI50 for fitting within the windowframe Classic-, Compact-, Econo- and Lux-line

REFLEX-ROL U.K.

De Leeuw Ltd.
Ryeford Hall
Ryeford
Ross-on-Wye HR9 7PU
phone: +44(0) 1989 750704
fax +44(0) 1989 750768



www.deleeuw-ltd.co.uk